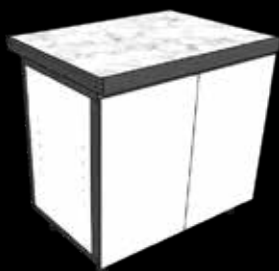


SINGLE / DOUBLE STORAGE MODULE AND SINGLE / DOUBLE SINK MODULE



OR



ASSEMBLY INSTRUCTIONS

READ THESE INSTRUCTIONS BEFORE STARTING ANY ASSEMBLY.



DANGER: THE BENCH TOP IS FACTORY ASSEMBLED AND READY TO USE, DO NOT ATTEMPT ANY MODIFICATION (eg. CUTTING, DRILLING OR SANDING). MODIFICATION WILL CREATE CRYSTALLINE SILICA DUST. REFER TO THE SUPPLIED SAFETY DATA SHEET FOR MORE DETAILS. MODIFICATIONS SHOULD ONLY BE MADE BY EXPERIENCED TRADESPERSONS UNDER CONTROLLED CONDITIONS.

WARNING! – THIS IS A PERMANENT CONNECTION SYSTEM!

THIS MODULE IS PACKED IN THREE BOXES: BOX 1 OF 3 = BENCH TOP

- SINTERED STONE BENCH TOP

BOX 2 OF 3 = DRAWER MODULE PANELS & FRAMES

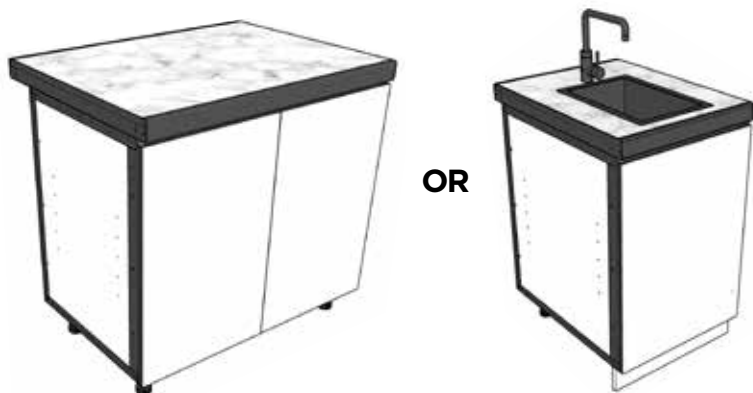
- PVC PANELS AND FRAMES
- HARDWARE BLISTER PACK
- PLINTH FEET

BOX 3 OF 3 = DRAWER FRONTS

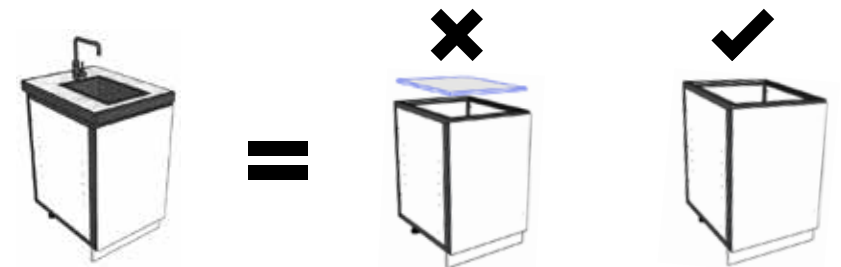
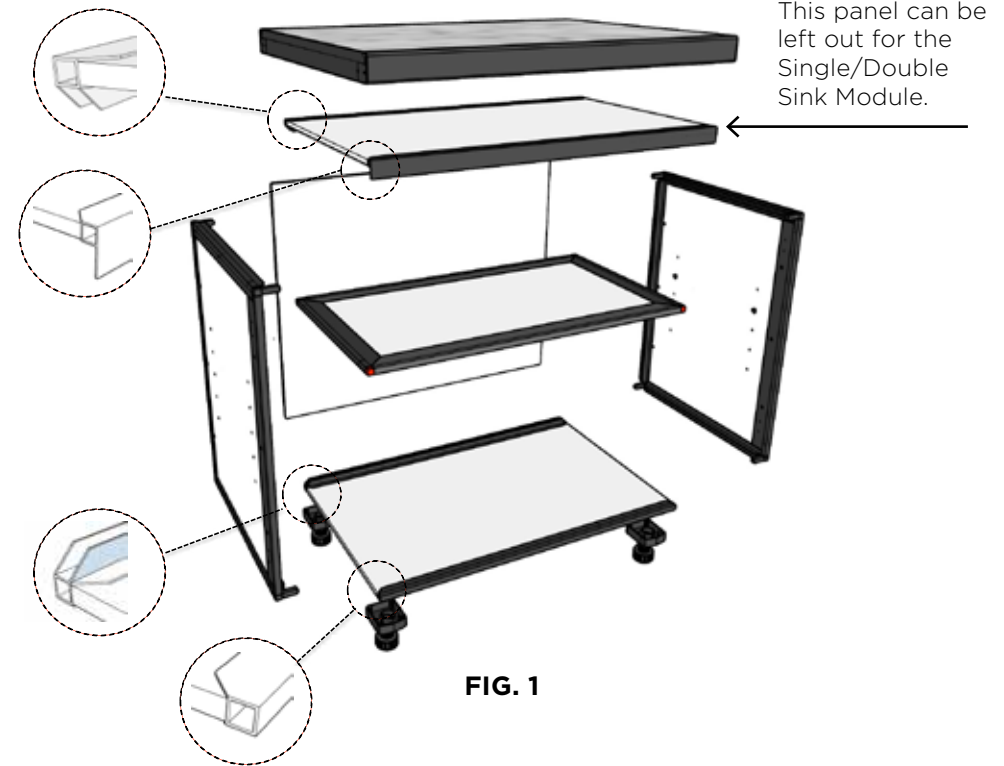
- COMPACT LAMINATE DRAWER FRONTS

Essential Tip: Ensure you have a stable, flat surface to knock your modules together on; ideally concrete.

Please take the time look at our instruction manual to familiarise yourself with the product before starting.



LAYOUT DIAGRAM



IF INSTALLING A SINK: Ensure that the top white panel is NOT installed into the frame. This panel is not provided with our standard sink module, however if you are converting a single or double solid top module into a sink top, then create a suitable cutout into the top of the cabinet by using a hole saw and jig saw if required, alternatively remove the top panel completely.

ASSEMBLING BACK PANEL

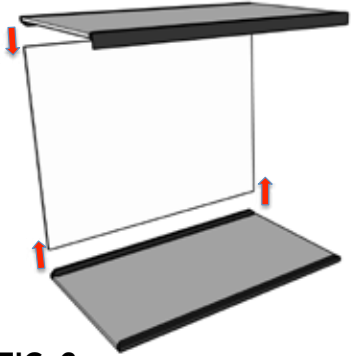


FIG. 2

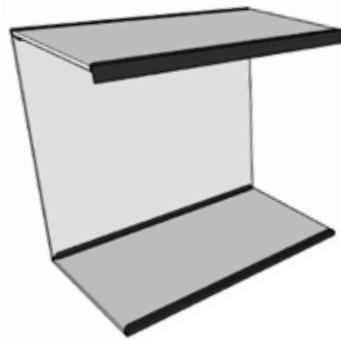


FIG. 3

ASSEMBLING SIDE WALL PANELS TO BACK PANEL

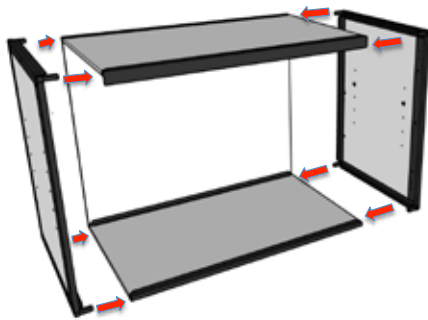


FIG. 4

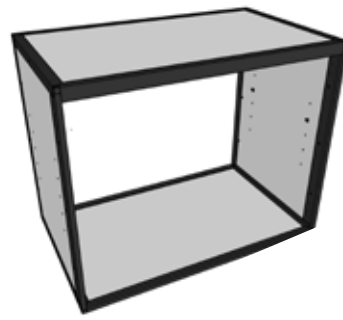


FIG. 5

ASSEMBLING SHELF PANEL

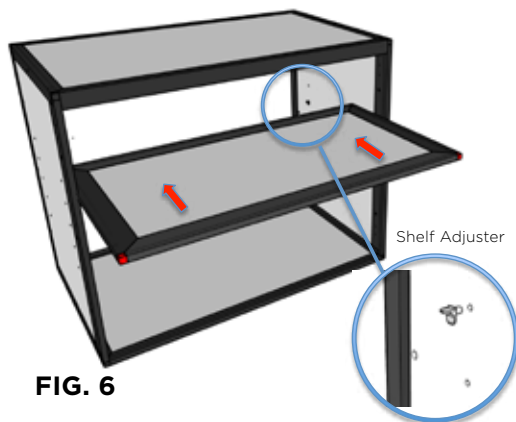


FIG. 6

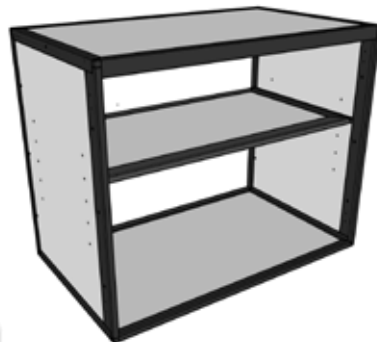


FIG. 7

ATTACHING THE ADJUSTABLE PLINTH FEET

No pilot holes are used for plinth feet since the inside frame edge provides the guide. Place Plinth foot into corner of cabinet frame. Using a **HAND SCREW DRIVER** only gently screw in each of the screws.

Do NOT use a battery screw driver, only a hand screw driver. Failing to use a hand screw driver may cause the screw to go too far through the PVC and damage the inner surface of the base. If desired move the front two plinth feet further back to create a deeper kick plate position.



FIG. 8

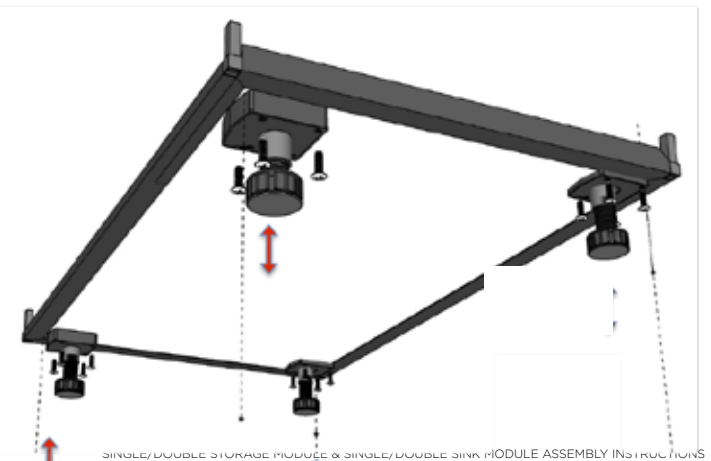


FIG. 9

ATTACHING THE KICK PLATE

Please take note that the Kick plate provided is reversible, thereby giving you the choice between a black “shadow line” finish or stylish silver finish. The Kick plate Biscuit is used to connect onto more than one cabinet, thereby aligning the kick plate.

Choose the desired color face of kick plate. (Silver or Black). No pre drilled holes are possible due to this color choice. Self tapping screws are provided to attach the spring clip plate to the kick panel. The dimensions on Fig. 11 can be used as a guide only since the position of the plinth foot and the desired depth of the kick plate will vary depending on the choice of plinth foot installation position by the end user.

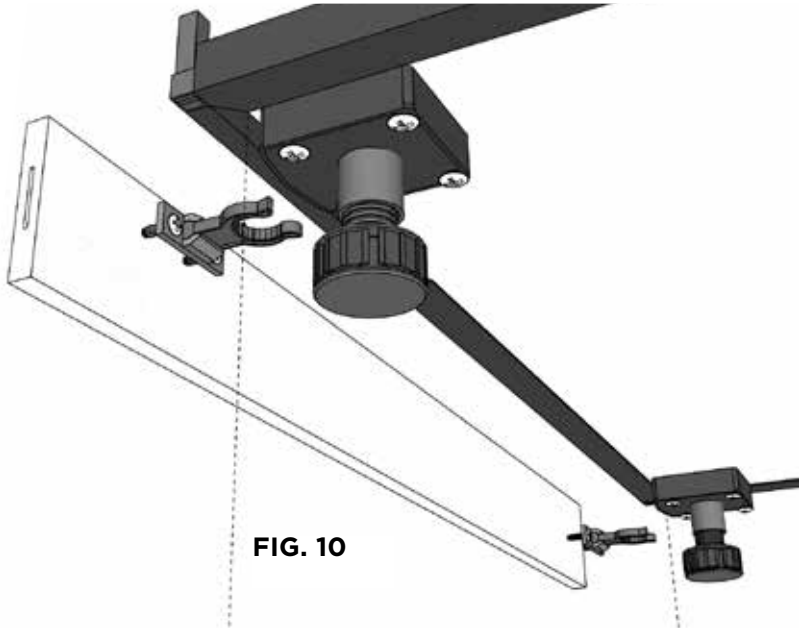


FIG. 10

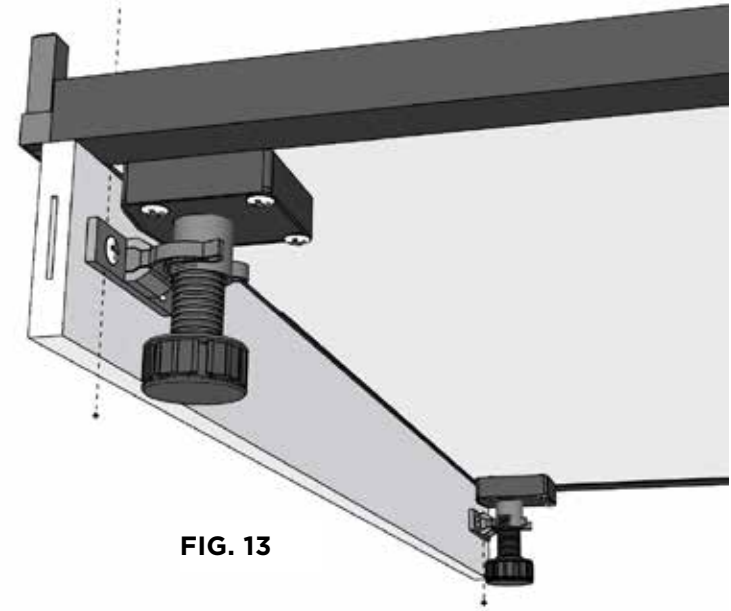


FIG. 13

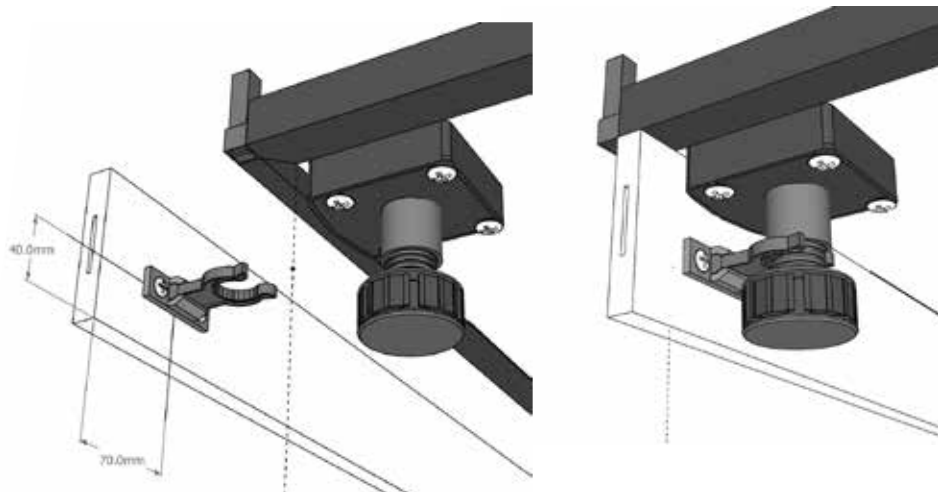


FIG. 11

FIG. 12

ASSEMBLING DOOR & HINGES

- To attach the hinge plate use a standard or power Phillips head screw driver.
The allocating holes are pre drilled into the frame.
- Attach all four-hinge plates when attaching two doors. Attach the two-left hinge plates when attaching a single door.



FIG. 14

Attach hinges to door panels by using the self-tapping screws provided.

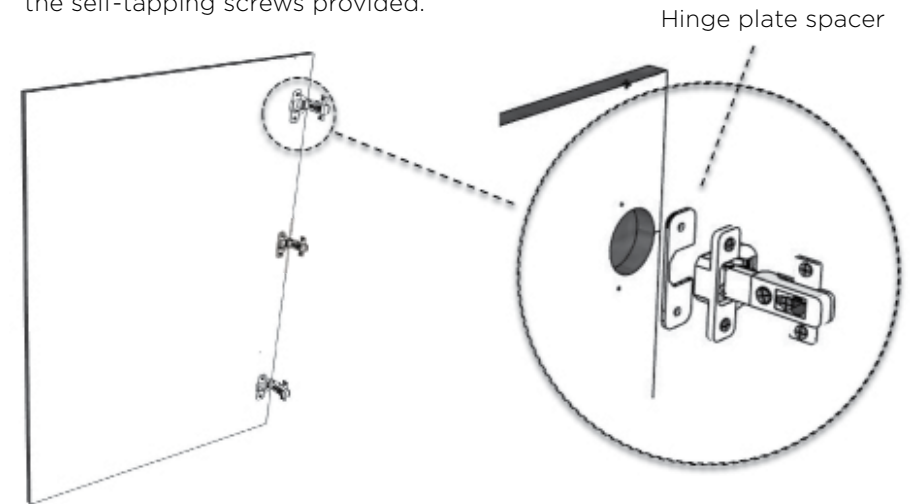
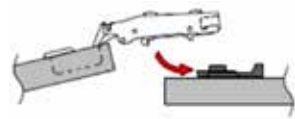


FIG. 15

DETAILED INSTRUCTIONS ON HOW TO CLIP ON THE DOORS USING CLIP-ON-HINGES

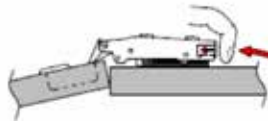


Clip On Hinge Instructions:

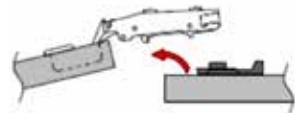
Clamp hinge on to the mounting plate as shown by direction arrow



Press down the hinge arm to lock the plate as shown



The door can be quickly removed by pushing the button



Unclipping the door from the mounting plate leaves all adjustments unaltered

Firstly align the front hinge section with the front section of the hinge-plate, then press on the back of the hinge-plate, an audible “Click” should be heard if the door has been correctly hanged. Repeat the process to secure the bottom hinge and door.



FIG. 16

The door should fully open and close as normal.

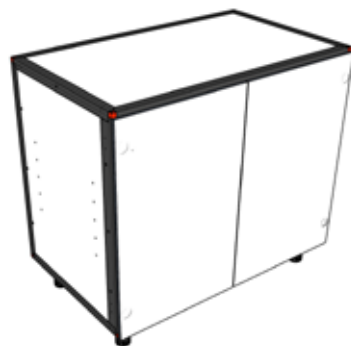



FIG. 17

At this stage your progress should look like the above image.

BENCH TOP PLACEMENT

The sintered stone is factory assembled into an aluminium frame to create an easy to fit and clean bench top.

- DANGER!**
- 
- **SINTERED STONE BENCH TOP CONTAINS CRYSTALLINE SILICA (9-10%)**
 - **PRODUCT IS SUPPLIED READY TO USE. DO NOT MODIFY (EG. CUT, DRILL, SAND)**
 - **IF SINTERED STONE BENCH TOP IS BROKEN RETURN TO SUPPLIER**
 - **DO NOT BREATHE DUST**
 - **MAY BE HARMFUL IF DUST IS INHALED**
 - **SEE SAFETY DATA SHEET (INCLUDED)**

Please note: The bench top is deeper than the cabinet to allow for services.

IMPORTANT: Assemble and level your kitchen modules, fit your End Panels and then align your tops before fixing.

ESSENTIAL TIP: Ensure the module and bench top are positioned on a stable flat surface to ensure alignment.

CAUTION: The bench top is very heavy, and a 2-person lift is required.

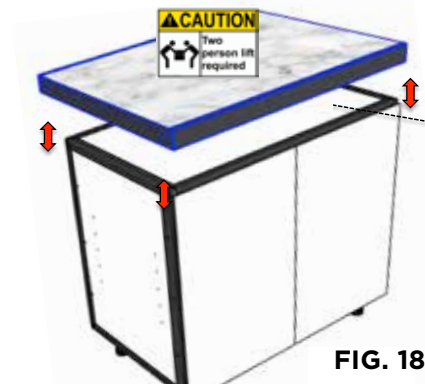
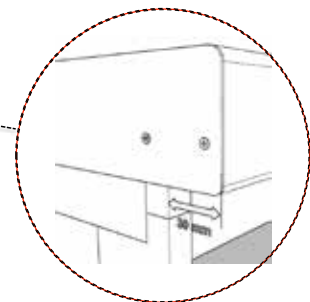


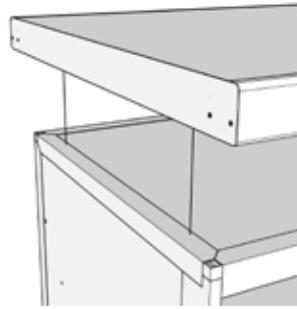
FIG. 18



The pre aligned screw holes will ensure that the stone top has an offset of **30mm** from the cabinet.



Screw Point, Pre drilled alignment holes.



Screw Point, Pre drilled alignment holes.

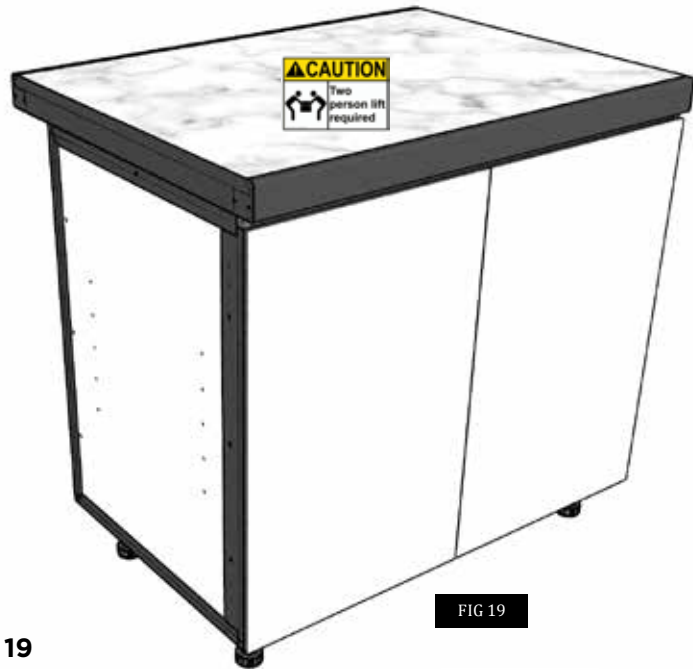


FIG. 19

Please note: Once the module and kitchen is complete and in position, remove the bench top protective plastic sheet and dispose of in the bin, do not recycle this sheet.

HOW TO INSTALL THE SINK MODULE

Step 1: The top PVC white panel is NOT required. If it has been installed, a suitable cutout in the top PVC white panel of the cabinet will need to be cut.



FIG. 20



FIG. 21

This top white panel is provided in the single and double solid top module and is not required for the sink modules.

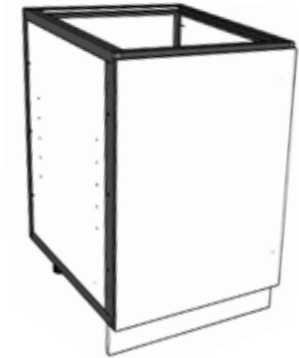


FIG. 22

This is how the module should look before the top is placed on.

Step 2: Install the stone top as per the steps provided



FIG. 23

Step 3: Align the sink with the pre cut hole in the stone top.



FIG. 24

Step 4: Lower the sink into the pre cut hole in the stone. If a permanent installation is required, liquid silicone adhesive may be used under the metal flange of the sink.



FIG. 25

Step 5: Place the sink tap into the pre cut hole provided. Screw the base of the tap into place by screwing from the bottom of the sink. Your tap will then be securely in position. Please note a registered plumber is now required to plumb into your water mains.



FIG. 26

HOW TO INSTALL A DOOR HANDLE

Take note that the door handles can be placed vertically or horizontally as preferred by you.

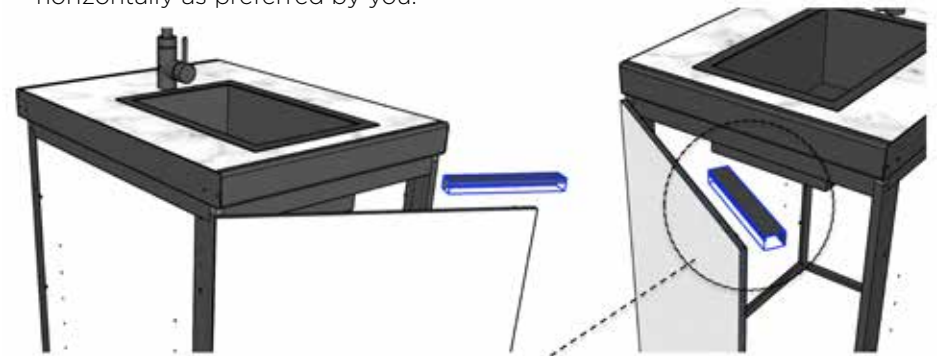


FIG. 27

FIG. 28

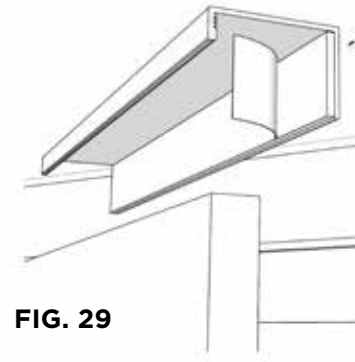


FIG. 29



FIG. 30

Remove the Double sided Tape from the inside of the handle. Ensure you align the edge of the handle to the edge of the door before touching the tape to the door panel. Carefully press the door handle to the door for a permanent adhesion.

Additional screws are provided for a very secure connection, although you need to drill your own holes due to the handle having multiple possible positions as desired. These additional screw fixtures are not required under normal use.

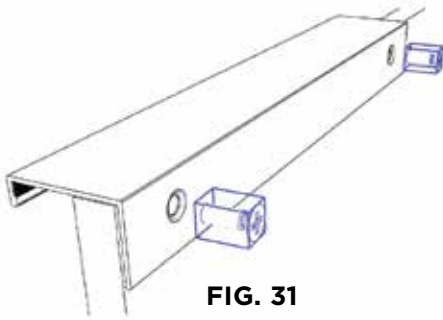


FIG. 31

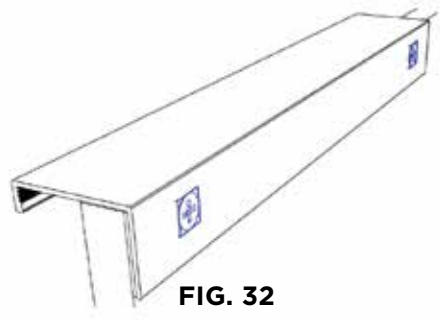


FIG. 32

IMPORTANT

- **3.2mm drill bit with a depth stop (not supplied).**

Please ensure you use a stop or tape on the drill bit, so not to drill deeper than 9mm maximum into the door. Damage to the door from incorrect drilling will not be covered under warranty.

Use tape to set the depth to 9mm max.

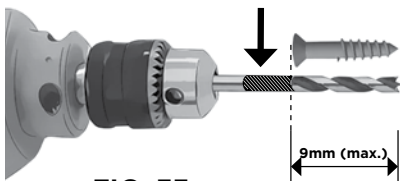
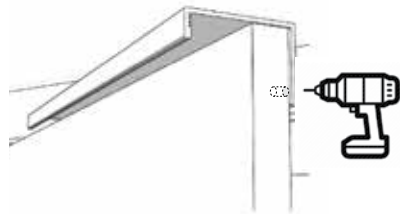


FIG. 33



For any queries or assistance call:
Customer Service
Australia Only

1300 174 876
service.group@sitro.com.au

Hours of operation:
Monday to Friday 8am - 5pm

Do not return to place of purchase
Keep your purchase receipt, this will be
required to make any claims under the
warranty.

Sitro Group Australia Pty Ltd
33-35 Lionel Road, Mt Waverley,
Victoria, 3149, Australia