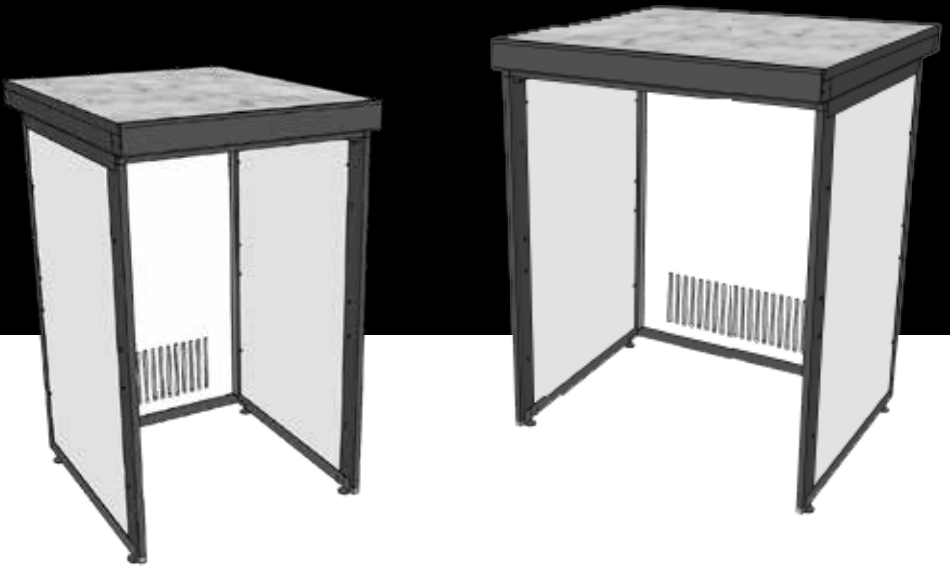


# SINGLE / DOUBLE FRIDGE MODULE



## ASSEMBLY INSTRUCTIONS

**READ THESE INSTRUCTIONS BEFORE STARTING ANY ASSEMBLY.**



**DANGER: THE BENCH TOP IS FACTORY ASSEMBLED AND READY TO USE, DO NOT ATTEMPT ANY MODIFICATION (eg. CUTTING, DRILLING OR SANDING). MODIFICATION WILL CREATE CRYSTALLINE SILICA DUST. REFER TO THE SUPPLIED SAFETY DATA SHEET FOR MORE DETAILS. MODIFICATIONS SHOULD ONLY BE MADE BY EXPERIENCED TRADESPERSONS UNDER CONTROLLED CONDITIONS.**

## WARNING! – THIS IS A PERMANENT CONNECTION SYSTEM!

### WHAT'S NEEDED?

#### Tools:

- Nylon mallet (not included)
- Philips head screwdriver or drill (not included)
- Allen keys (included in blister pack)

### THIS MODULE IS PACKED IN TWO BOXES:

#### BOX 1 OF 2 = BENCH TOP

- SINTERED STONE BENCH TOP

#### BOX 2 OF 2 = FRIDGE MODULE PANELS & FRAMES

- PVC PANELS AND FRAMES x 4
- BOLT BLISTER PACK x 1
- ADJUSTABLE FEET (ALREADY FITTED INTO FRAMES)

**Essential TIP:** Ensure you have a stable flat surface to knock your modules together on, ideally concrete.

Please take the time look at our instruction manual to familiarise yourself with the product before starting.

### FRIDGE MODULE LAYOUT DIAGRAM

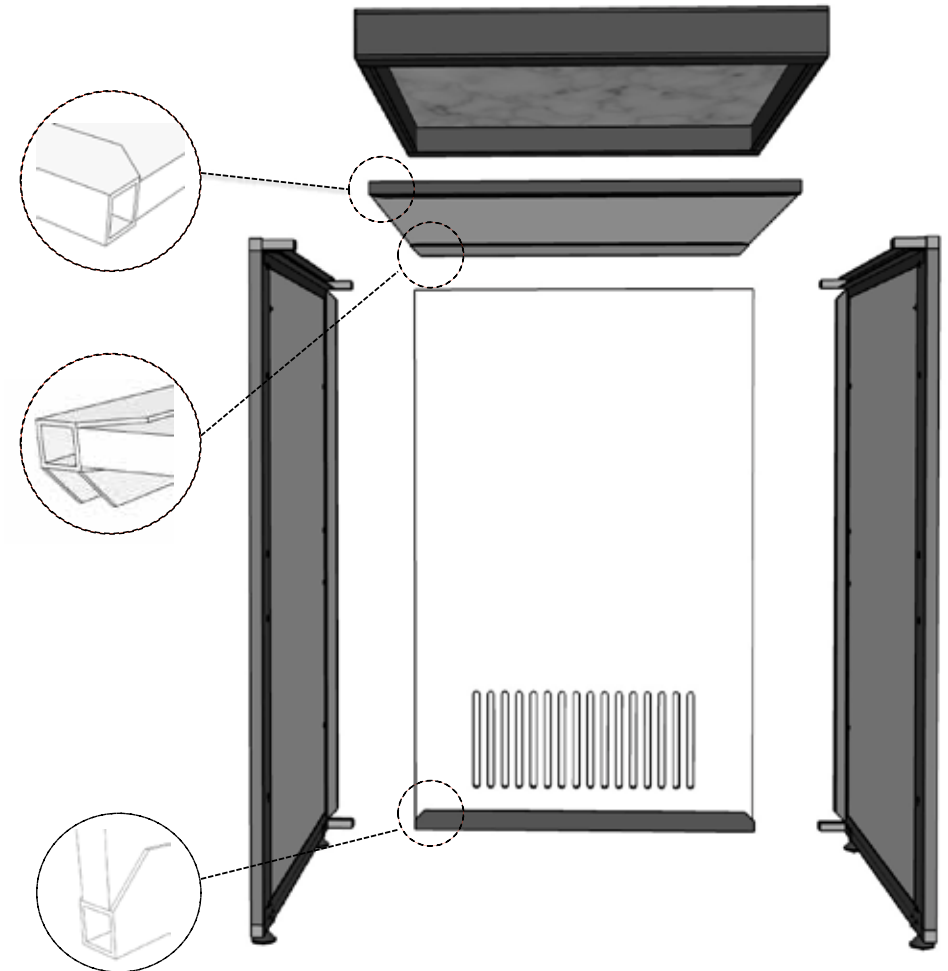


FIG. 1

## FRIDGE MODULE ASSEMBLY

**NOTE:** Assemble the Module on its side.

Place module with the left hand side down and position the top and back panels in place.

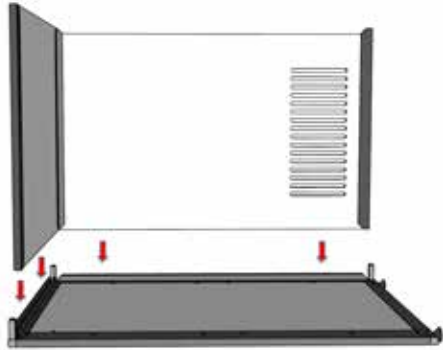


FIG. 2

Now position the right hand panel and check all is correct before knocking together.

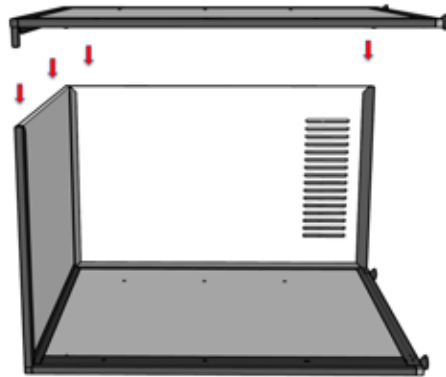


FIG. 3



FIG. 4



FIG. 5

## ATTACHING & LEVELLING THE FRIDGE MODULE TO OTHER MODULES IN YOUR OUTDOOR KITCHEN

The Fridge Module is now assembled and ready to be joined with other Modules.

Please see the AlfrescoPlus BBQ Module instruction manual for details on ATTACHING & LEVELLING THE MODULES.

## ADJUSTING THE FEET

Once you have attached the Fridge Module to the other Modules of your AlfrescoPlus outdoor kitchen, the adjustable feet can be adjusted to make sure the module aligns and is level with the other Modules.

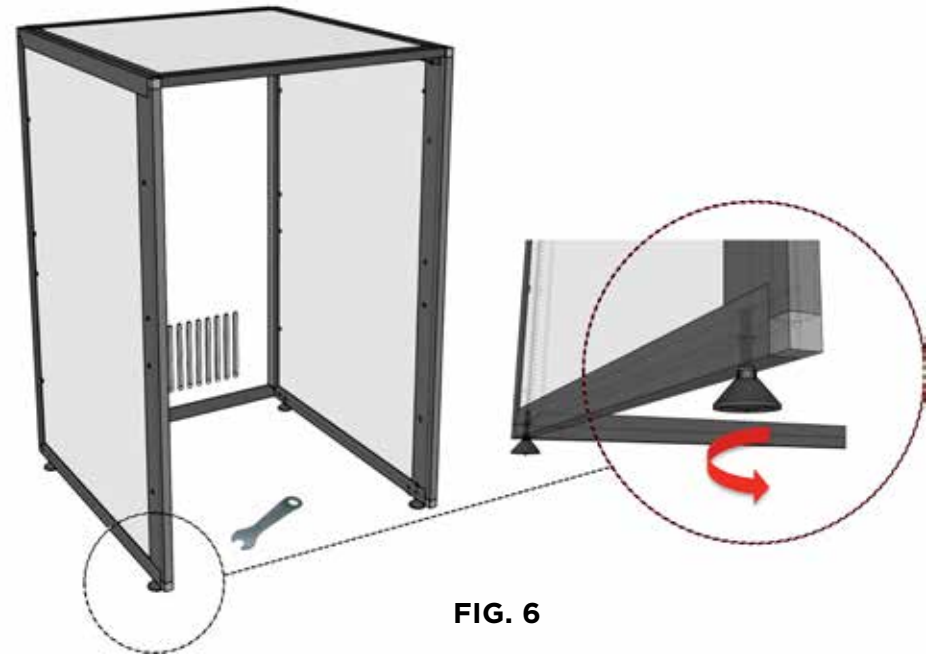


FIG. 6

## BENCH TOP PLACEMENT

The sintered stone is factory assembled into an aluminium frame to create an easy to fit and clean bench top.

- DANGER!**
- **SINTERED STONE BENCH TOP CONTAINS CRYSTALLINE SILICA (9-10%)**
  - **PRODUCT IS SUPPLIED READY TO USE. DO NOT MODIFY (EG. CUT, DRILL, SAND)**
  - **IF SINTERED STONE BENCH TOP IS BROKEN RETURN TO SUPPLIER**
  - **DO NOT BREATHE DUST**
  - **MAY BE HARMFUL IF DUST IS INHALED**
  - **SEE SAFETY DATA SHEET (INCLUDED)**

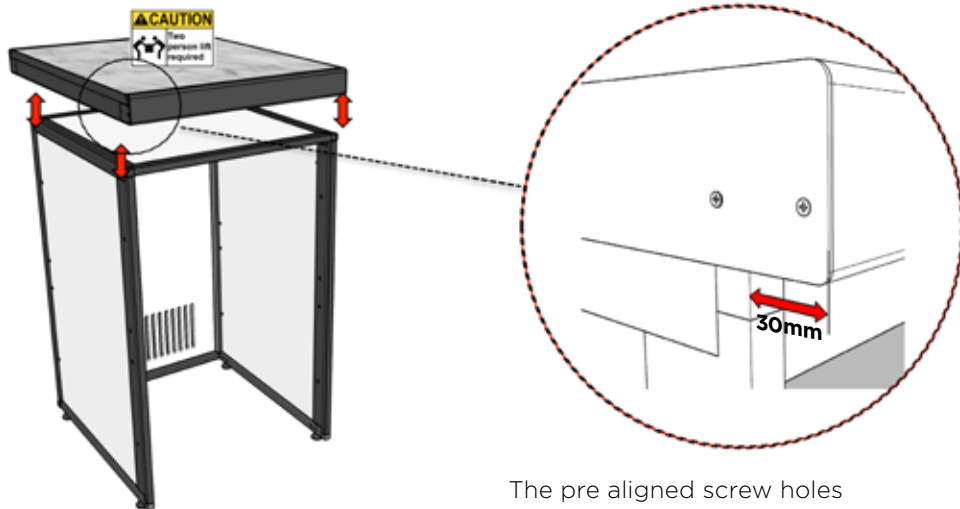


**Please note:** The bench top is deeper than the cabinet to allow for services.

**IMPORTANT:** Assemble and level your kitchen modules, fit your End Panels and then align your tops before fixing.

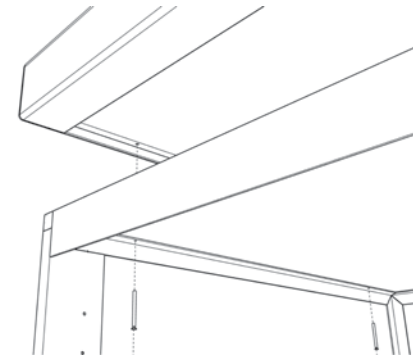
**ESSENTIAL TIP:** Ensure the module and bench top are positioned on a stable flat surface to ensure alignment.

**CAUTION:** The bench top is very heavy, and a 2-person lift is required.

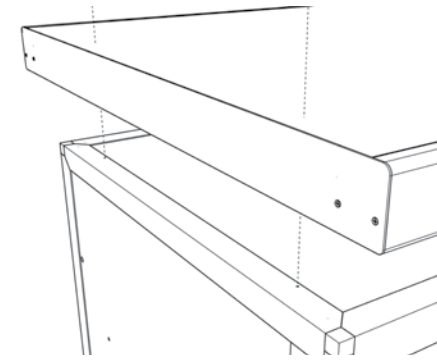


**FIG. 7**

The pre aligned screw holes will ensure that the stone top has an offset of **30mm** from the module.



Use the pre drilled holes to align the stone top.



Hold stone top down and tighten screws.

**FIG. 8**



**Please note:** Once the module and kitchen is complete and in position, remove the bench top protective plastic sheet and dispose of in the bin, do not recycle this sheet.

For any queries or assistance call:

Customer Service  
Australia Only

1300 174 876  
[service.group@sitro.com.au](mailto:service.group@sitro.com.au)

Hours of operation:  
Monday to Friday 8am - 5pm

Do not return to place of purchase  
Keep your purchase receipt, this will be required  
to make any claims under the warranty.

Sitro Group Australia Pty Ltd  
33-35 Lionel Road, Mt Waverley,  
Victoria, 3149, Australia