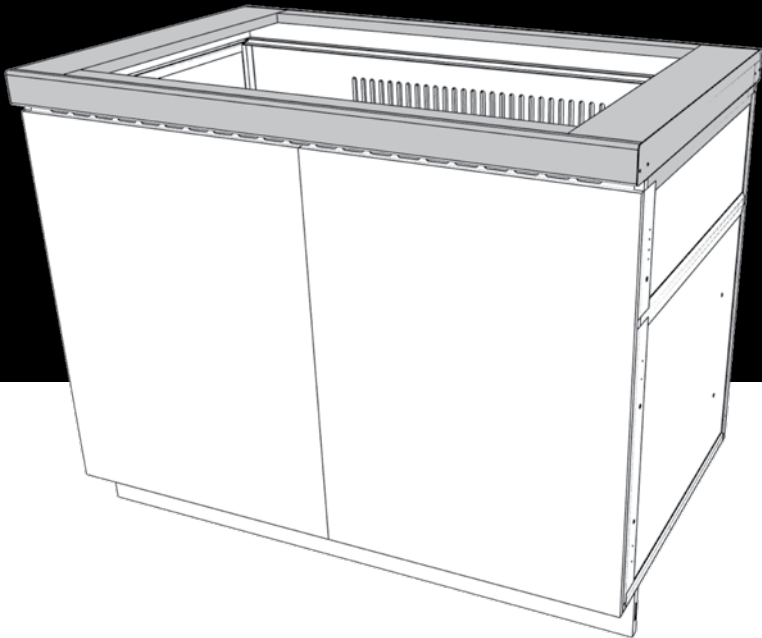


# BBQ MODULE AND BENCH TOP



## ASSEMBLY INSTRUCTIONS

**READ THESE INSTRUCTIONS BEFORE STARTING ANY ASSEMBLY.**



**DANGER: THE BENCH TOP IS FACTORY ASSEMBLED AND READY TO USE, DO NOT ATTEMPT ANY MODIFICATION (eg. CUTTING, DRILLING OR SANDING). MODIFICATION WILL CREATE CRYSTALLINE SILICA DUST. REFER TO THE SUPPLIED SAFETY DATA SHEET FOR MORE DETAILS. MODIFICATIONS SHOULD ONLY BE MADE BY EXPERIENCED TRADESPERSONS UNDER CONTROLLED CONDITIONS.**

# WARNING! – THIS IS A PERMANENT CONNECTION SYSTEM!

## WHAT'S NEEDED?

### Tools:

- Nylon mallet (not included)
- Philips head screwdriver or drill (not included)
- Allen keys (included in blister pack)

## THIS MODULE IS PACKED IN THREE BOXES:

### BOX 1 OF 3 = BENCH TOP

- SINTERED STONE BENCH TOP

### BOX 2 OF 3 = BBQ MODULE PANELS & FRAMES

- PVC & THERMAL PANELS AND FRAMES
- HARDWARE BLISTER PACK
- PLINTH FEET

### BOX 3 OF 3 = DOORS

- COMPACT LAMINATE DOOR FRONTS

**Essential Tip:** Ensure you have a stable, flat surface to knock your modules together on; ideally concrete.

Please take the time look at our instruction manual to familiarise yourself with the product before starting.

## LAYOUT DIAGRAM

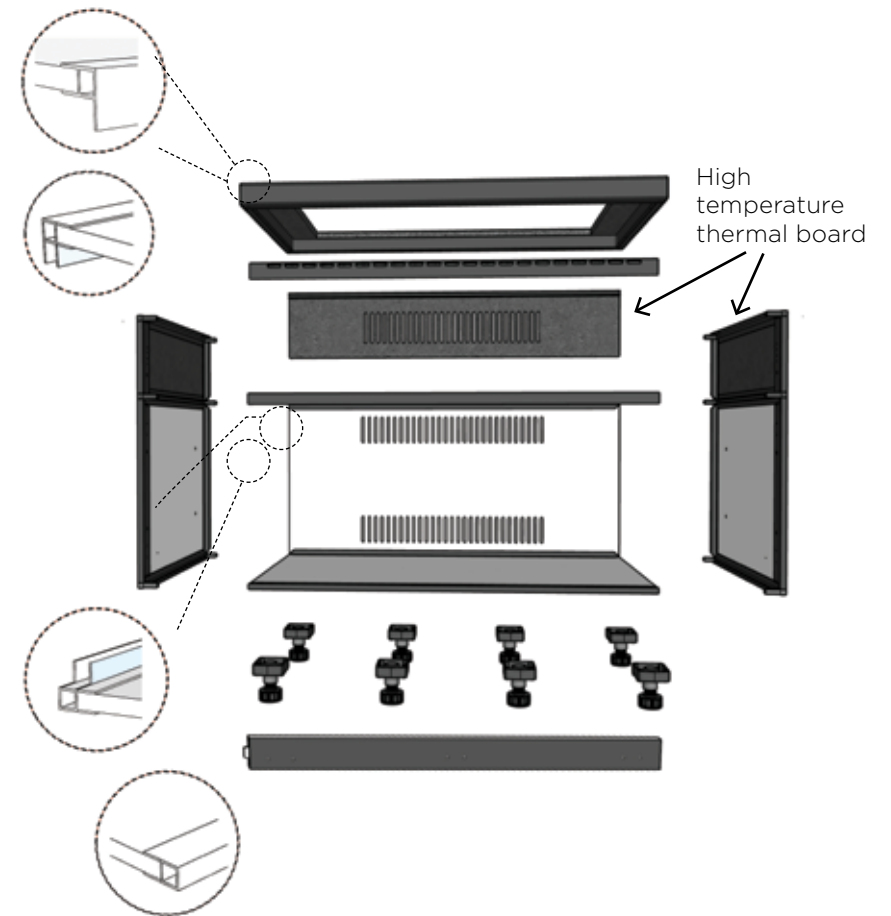
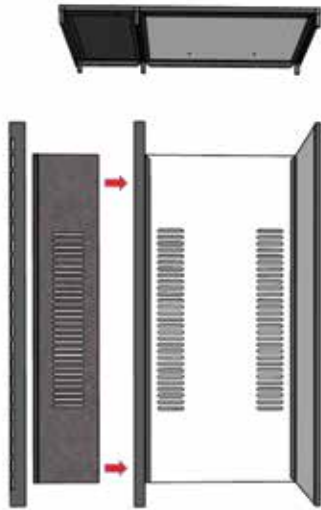


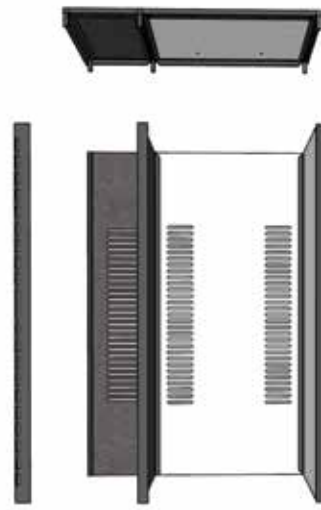
FIG. 1

## BBQ MODULE ASSEMBLY

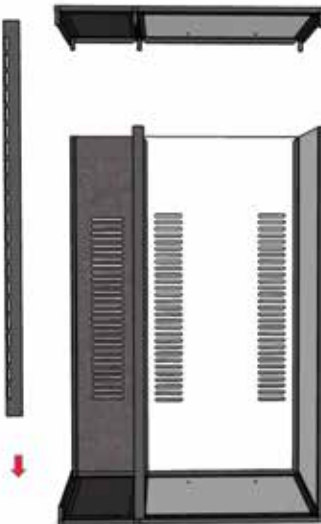
**NOTE:** Assemble the module on its side.



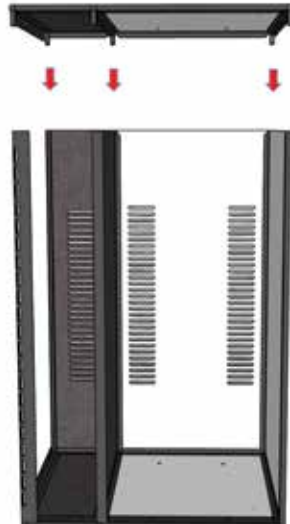
**FIG. 2**



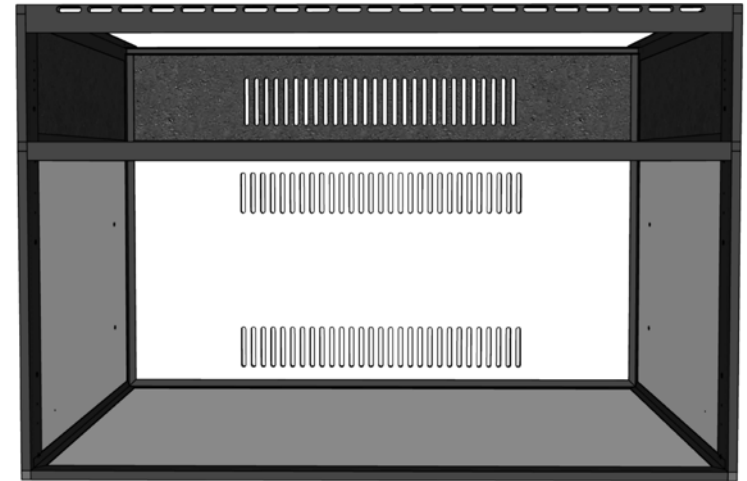
**FIG. 3**



**FIG. 4**



**FIG. 5**



**FIG. 6**

**NOTE:** Now turn module 90 degrees onto its base

## ASSEMBLING PLINTH FEET & KICK PLATE

There are no pilot holes provided for fitting the plinth feet, use the inside of the frame edge as a guide.

Place plinth foot into corner of cabinet frame. Secure with screws provided. If easier, remove plinth shaft from baseplate, then screw down base plate first. If desired, move the front two plinth feet further back to create a deeper kick-plate position.

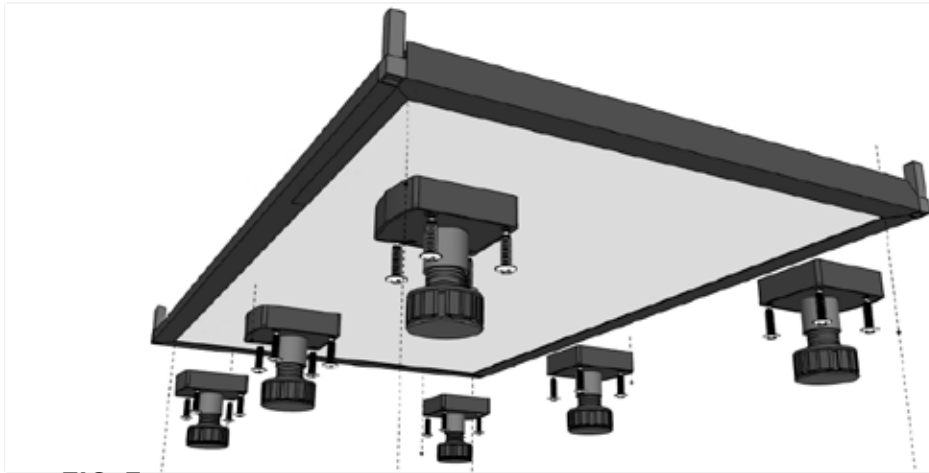


FIG. 7

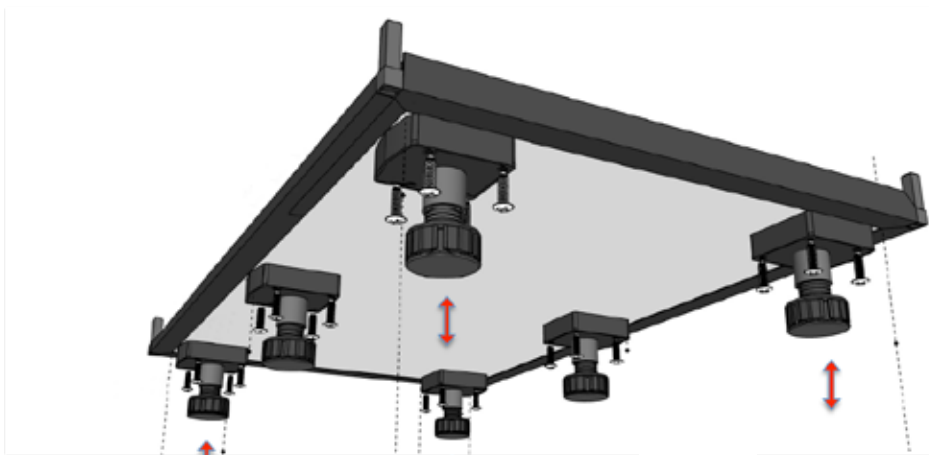


FIG. 8

## ATTACHING THE KICK PLATE

Please take note that the kick plate provided is reversible, giving you the choice between a black finish or stylish silver finish. The kick plate biscuit is used to connect and align adjoining kick plate.

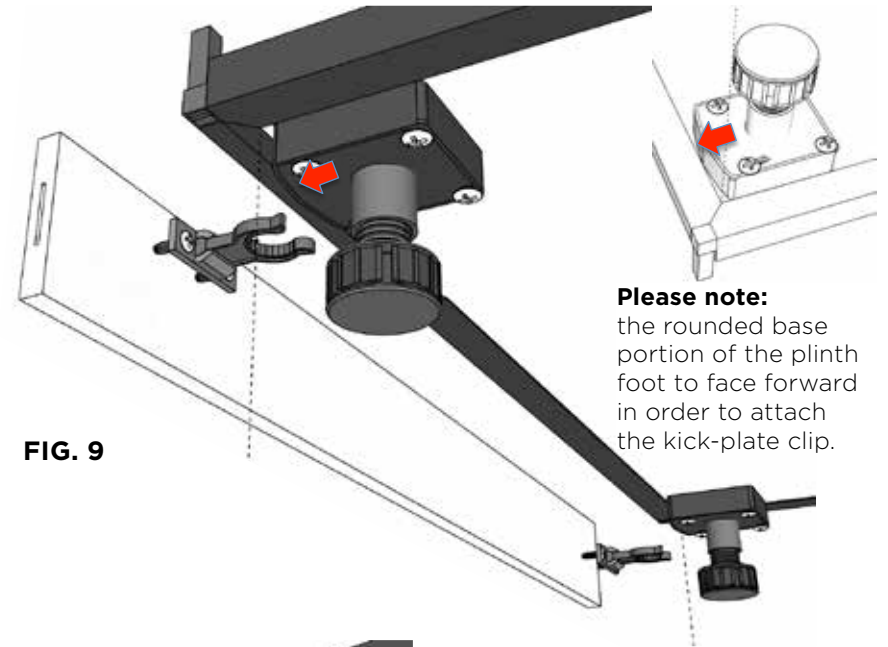


FIG. 9

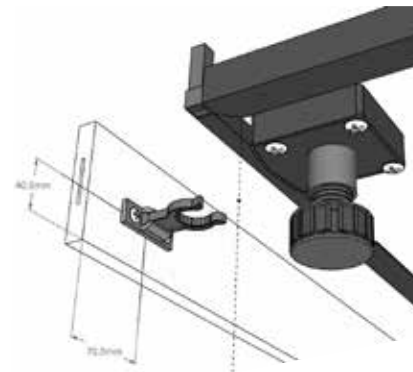


FIG. 10

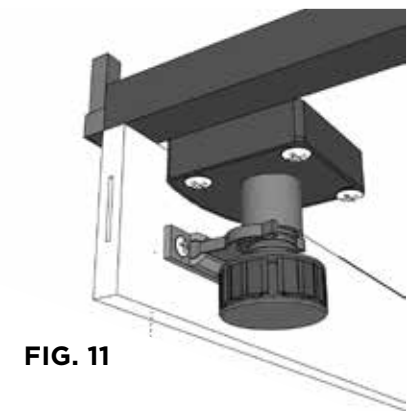
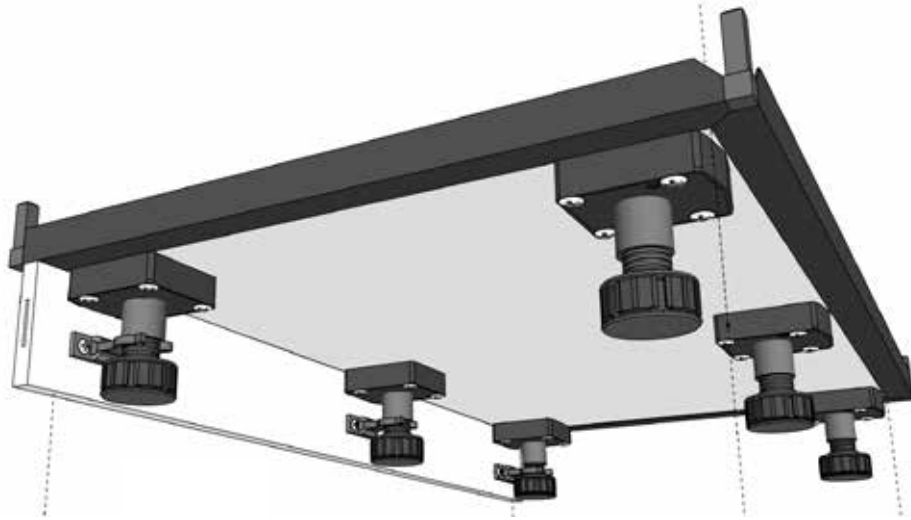


FIG. 11

Choose the desired colour face of kick plate (silver or black).

No pre-drilled holes are possible due to this colour option. Self tapping screws are provided to attach the spring clip base to the kick panel.

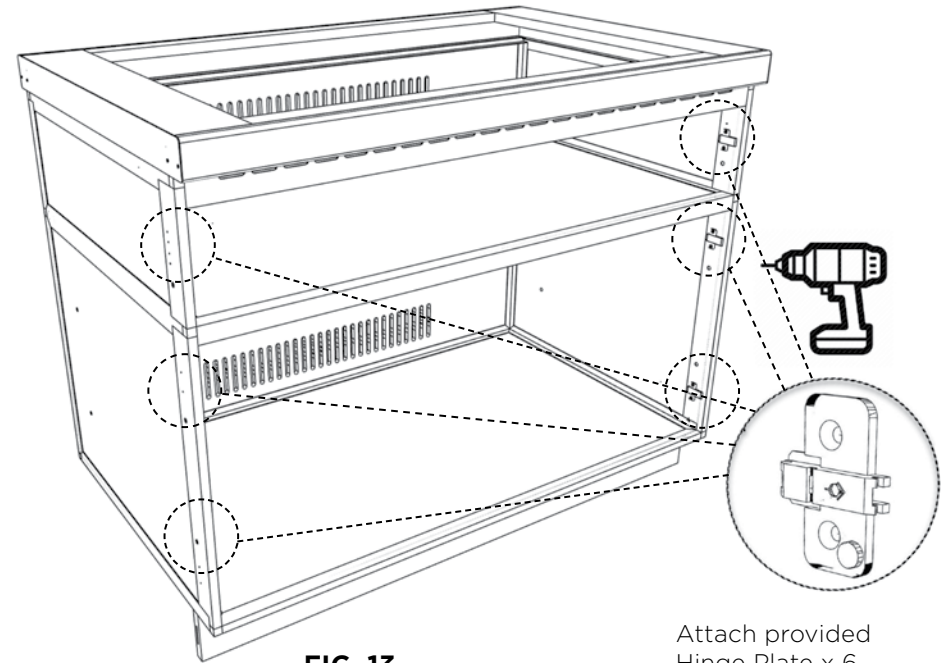
The dimensions on FIG. 10 can be used as a guide only since the position of the plinth foot and the desired depth of the kick plate will vary depending on the plinth foot installation position by the end user.



**FIG. 12**

## ASSEMBLING DOOR & HINGES

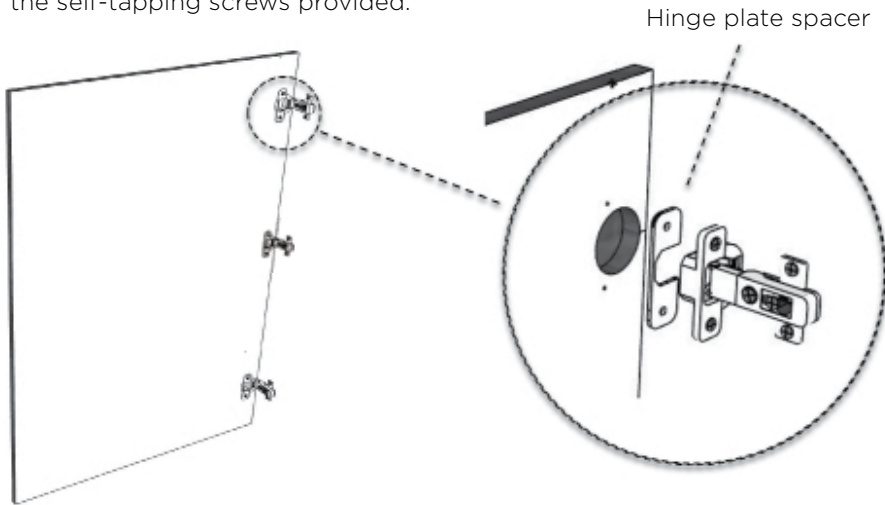
- To attach the hinge plate use a standard or power Phillips head screw driver. The holes are pre-drilled into the frame.
- Attach all six-hinge plates when attaching two doors.



**FIG. 13**

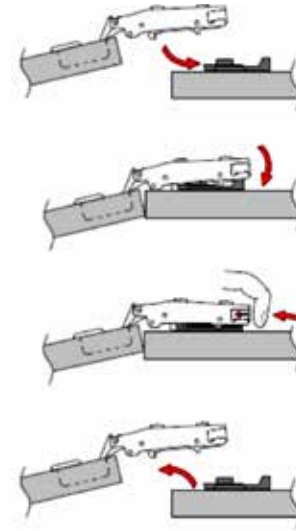
Attach provided Hinge Plate x 6 and self tapping screws.

Attach hinges to door panels by using the self-tapping screws provided.



**FIG. 14**

## DETAILED INSTRUCTIONS ON HOW TO CLIP ON THE DOORS USING CLIP-ON-HINGES



### Clip On hinge Instructions:

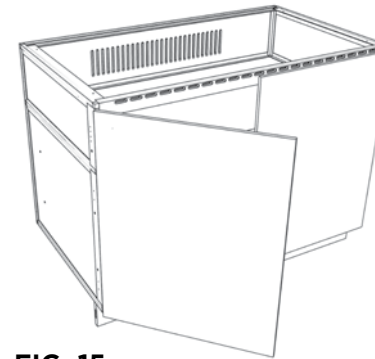
Clamp hinge on to the mounting plate as shown by direction arrow

Press down the hinge arm to lock the plate as shown

The door can be quickly removed by pushing the button

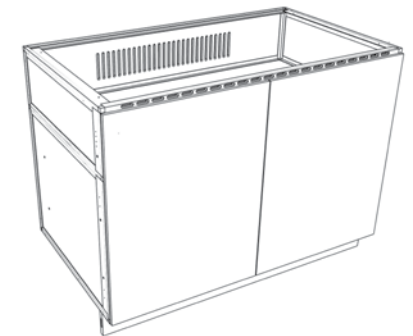
Unclipping the door from the mounting plate leaves all adjustments unaltered

Firstly align the front hinge section with the front section of the hinge-plate, then press on the back of the hinge-plate, an audible "click" should be heard if the door has been correctly hanged. Repeat the process to secure the bottom hinge and door.



**FIG. 15**

The door should fully open and close as normal.

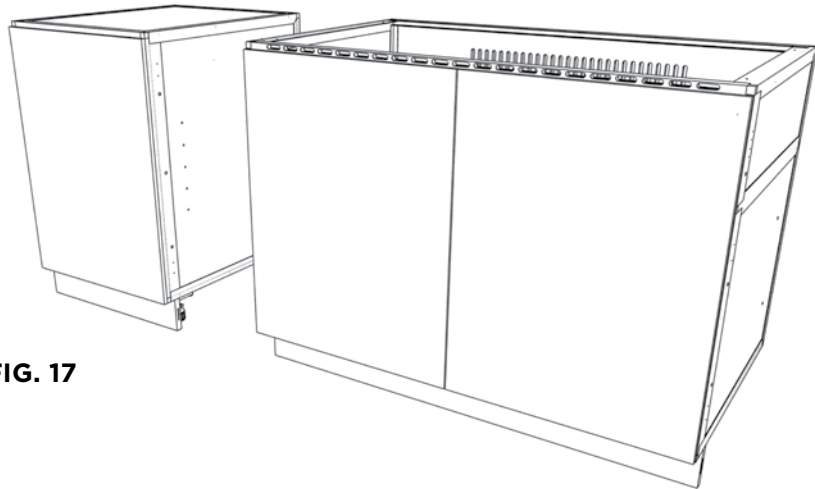


**FIG. 16**

At this stage your progress should look like the above image.

## ATTACHING & LEVELING THE MODULES

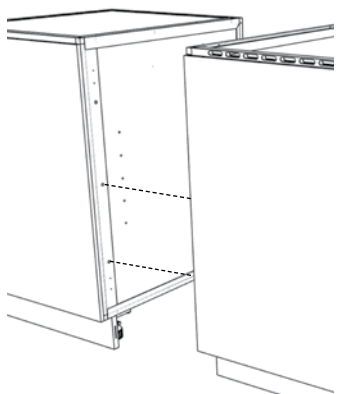
Position modules in the desired configurations. Level each module and ensure the heights are correct so that joining holes line up. Now join the two modules with the barrel bolts supplied. Do not over tighten barrel bolts. Position and level the whole assembly when in final position.



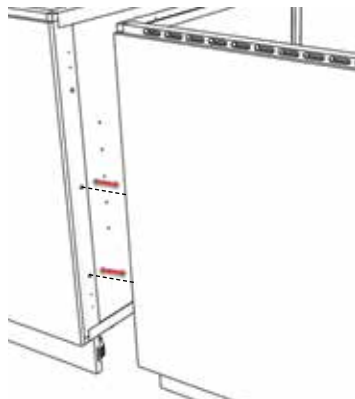
**FIG. 17**

Make sure the cabinets are leveled and aligned, ready to be connected by barrel bolts.

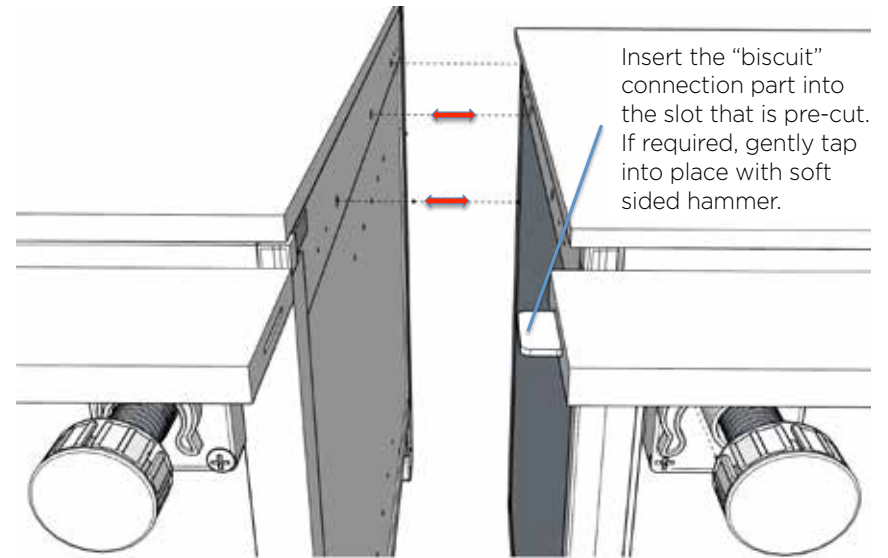
**Please note:** insert the biscuit into the slot in the kick plate, then align the kick plate ready to be connected.



**FIG. 18**

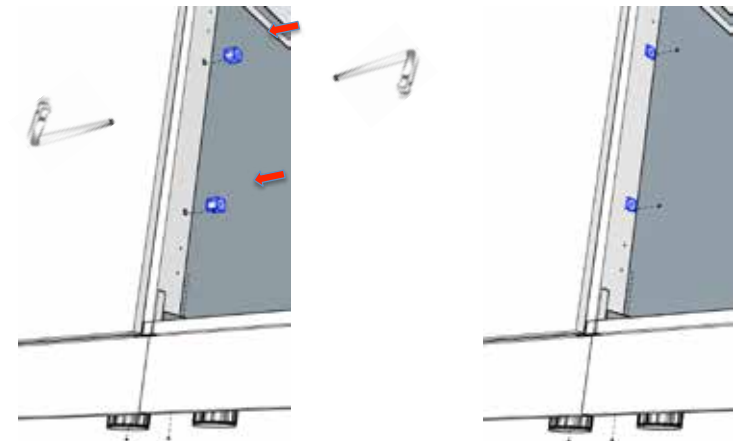


**FIG. 19**



**FIG. 20**

Diagram using the Allen key provided to fasten cabinets using the barrel bolts.

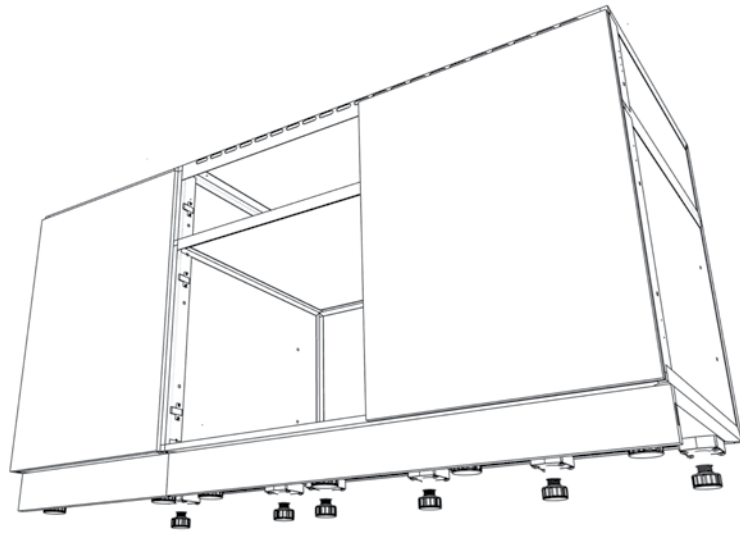


**FIG. 21**

Joining the cabinet with barrel bolts.

Cabinet joined with barrel bolts.





**FIG. 22**

Note: The door is not shown in some images to illustrate the cabinet connection method more clearly.

## BENCH TOP PLACEMENT

The sintered stone is factory assembled into an aluminium frame to create an easy to fit and clean bench top.

- DANGER!**
- **SINTERED STONE BENCH TOP CONTAINS CRYSTALLINE SILICA (9-10%)**
  - **PRODUCT IS SUPPLIED READY TO USE. DO NOT MODIFY (EG. CUT, DRILL, SAND)**
  - **IF SINTERED STONE BENCH TOP IS BROKEN RETURN TO SUPPLIER**
  - **DO NOT BREATHE DUST**
  - **MAY BE HARMFUL IF DUST IS INHALED**
  - **SEE SAFETY DATA SHEET (INCLUDED)**



**Please note:** The bench top is deeper than the cabinet to allow for services.

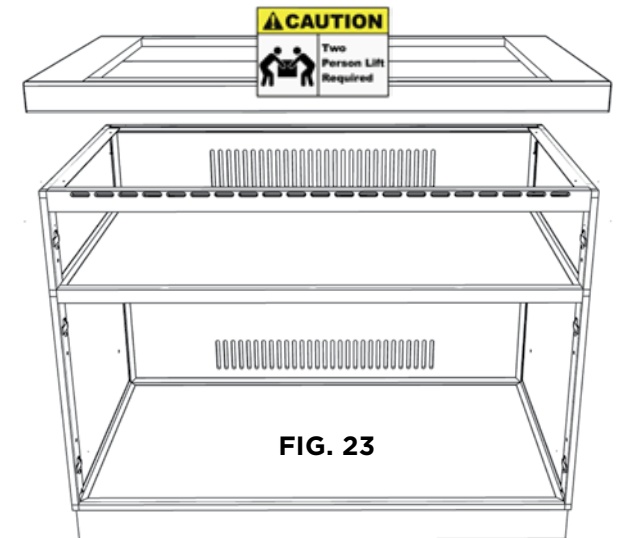
**IMPORTANT:** Assemble and level your kitchen modules, fit your End Panels and then align your tops before fixing.

**ESSENTIAL TIP:** Ensure the module and bench top are positioned on a stable flat surface to ensure alignment.

**CAUTION:** The bench top is very heavy, and a 2-person lift is required.

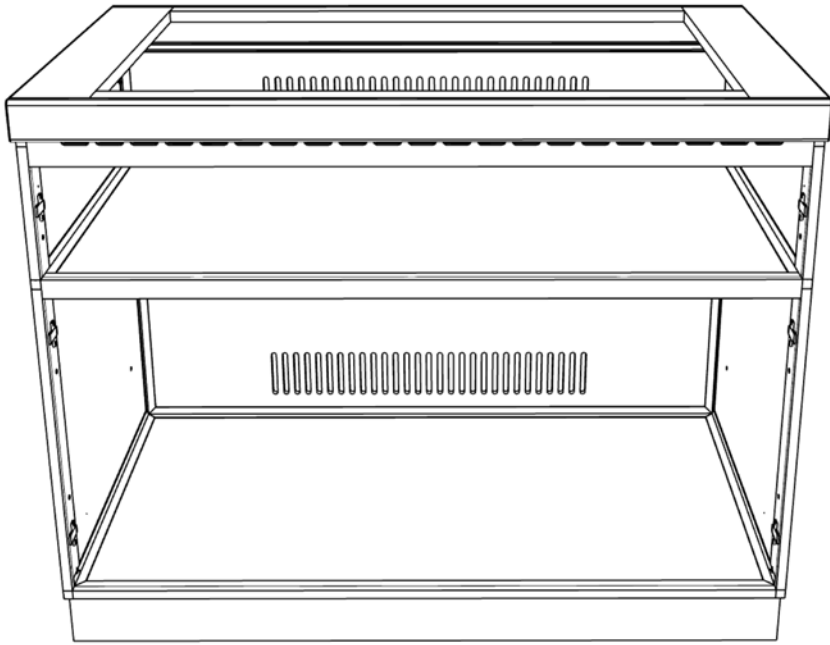
Use self-taping screws supplied with bench top. Align the pre-drilled pilot holes in the stone and top of module and fasten screws.

**Please note:** there is a 30mm front overhang.



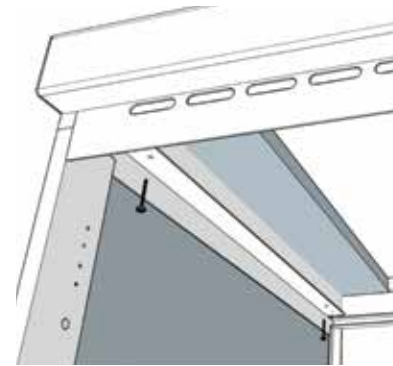
**FIG. 23**



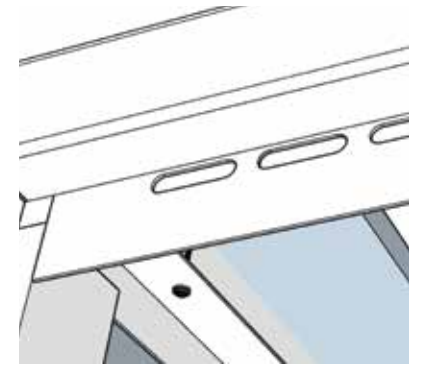


**FIG. 24**

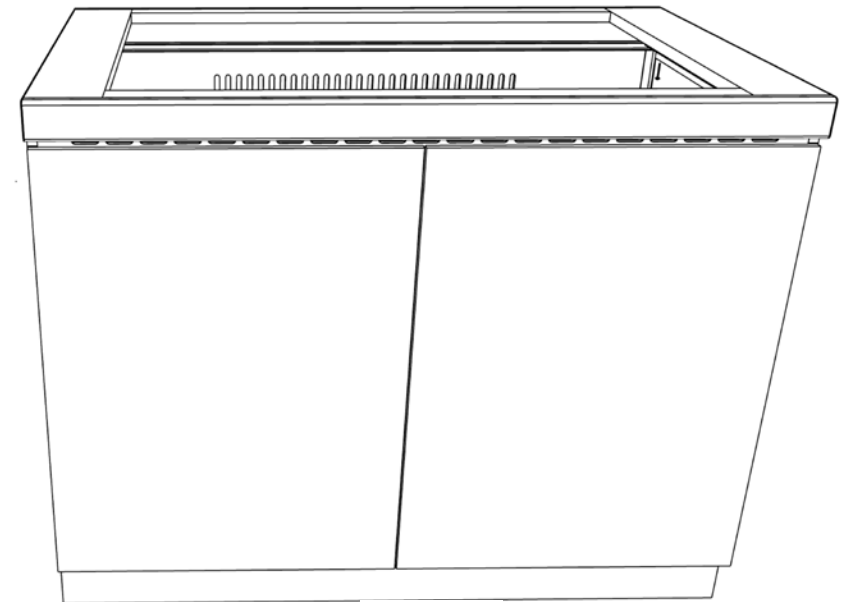
**Please note:** Once the module and kitchen is complete and in position, remove the bench top protective plastic sheet and dispose of in the bin, do not recycle this sheet.



**FIG. 25**



**FIG. 26**



**FIG. 27**

## HOW TO INSTALL A DOOR HANDLE

Take note that the door handles can be placed vertically or horizontally as preferred by you.

Remove the double sided tape from the inside of the handle. Ensure you align the edge of the handle to the edge of the door before touching the tape to the door panel.

Carefully press the door handle to the door for a permanent adhesion.

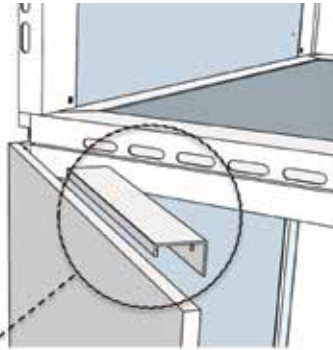


FIG. 28

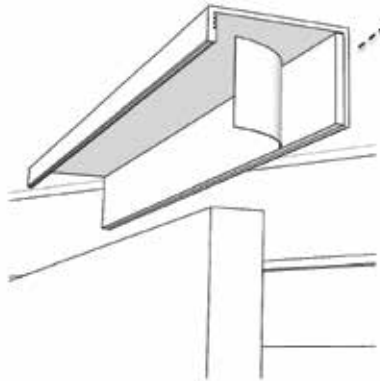


FIG. 29



FIG. 30

Additional screws are provided for a very secure connection, although you need to drill your own holes due to the handle having multiple possible positions as desired. These additional screw fixtures are not required under normal use.

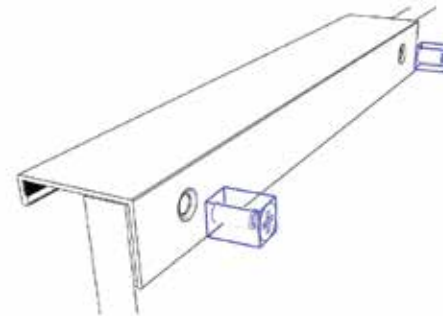


FIG. 31

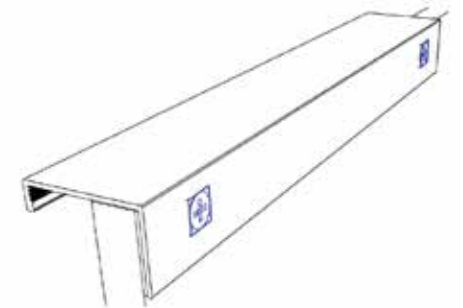


FIG. 32

### IMPORTANT

- **3.2mm drill bit with a depth stop (not supplied).**

Please ensure you use a stop or tape on the drill bit, so not to drill deeper than 9mm maximum into the door. Damage to the door from incorrect drilling will not be covered under warranty.

**Use tape to set the depth to 9mm max.**

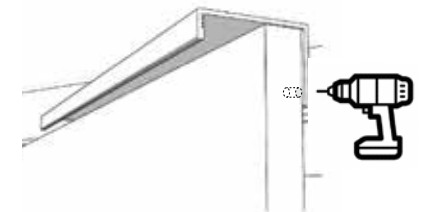


FIG. 33

For any queries or assistance call:

Customer Service  
Australia Only

1300 174 876  
[service.group@sitro.com.au](mailto:service.group@sitro.com.au)

Hours of operation:  
Monday to Friday 8am - 5pm

Do not return to place of purchase  
Keep your purchase receipt, this will be required  
to make any claims under the warranty.

Sitro Group Australia Pty Ltd  
33-35 Lionel Road, Mt Waverley,  
Victoria, 3149, Australia